

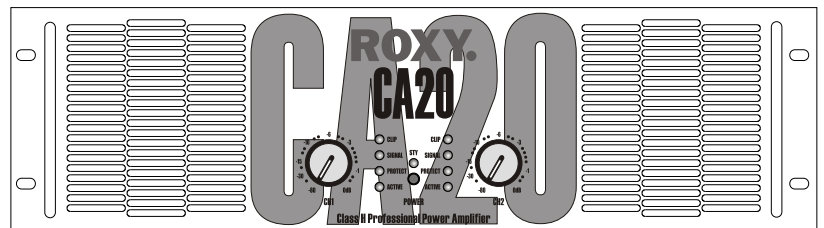
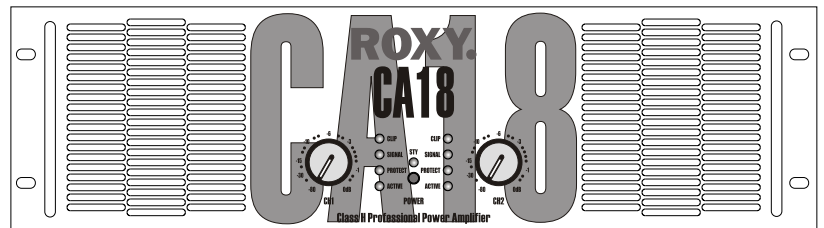
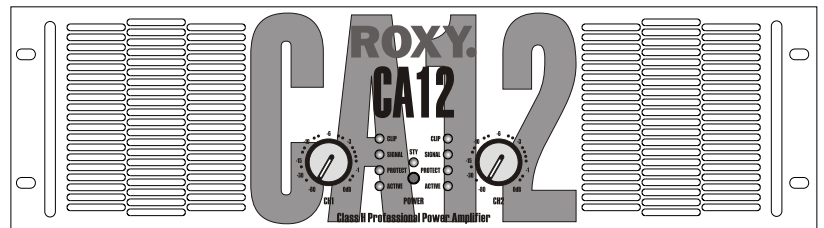
# ROXY®

# CA

---

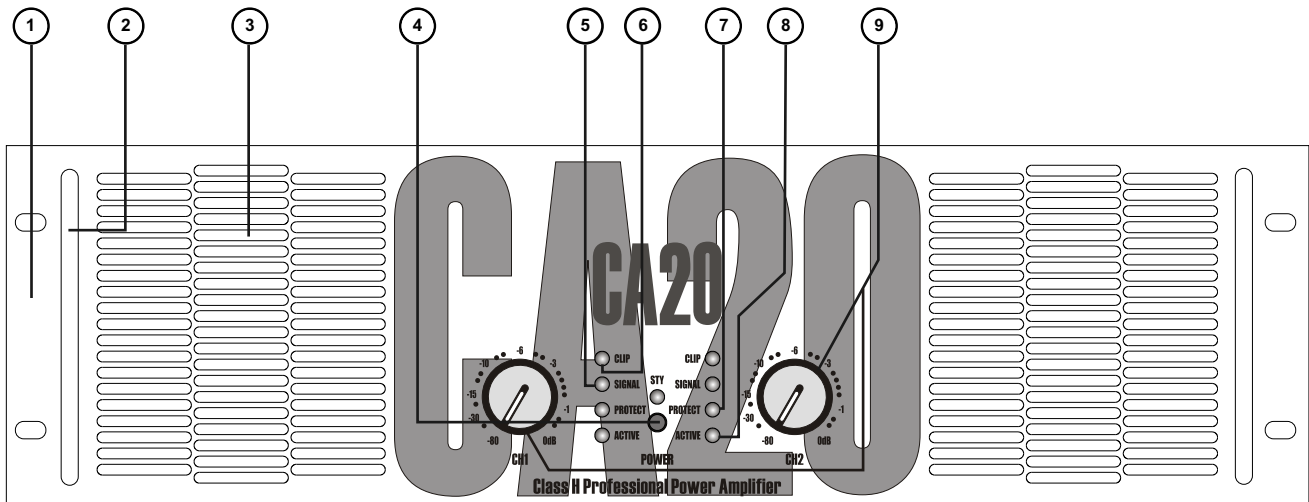
PROFESSIONAL POWER AMPLIFIERS

*Series*



---

OWNER'S MANUAL



### 1. Rack Mounting Ears.

Two front panel mounting holes are provided on each mounting ear.

### 2. Optional Rack Handles.

Available from your authorized Crest Audio supplier.

### 3. Fan Outlet Grills.

CA Series amplifiers are cooled by two, rear-mounted fans. Cool air flows over the heat sinks and exhausts through the front grills. Make sure these outlets remain clear to allow unrestricted air flow.

### 4. AC Power Switch.

CA Series amplifiers have a front-panel Soft Start AC switch. After connect to AC press the switch to Power ON.

### 5. Signal LED.

Illuminates to indicate that a signal (above a minimum threshold) is present at the amplifier input, and that the signal is being amplified.

### 6. Clip LED.

Illuminates at the clipping threshold. Continuous illumination also indicates that ACL (Active Clip Limiting) protection circuitry is engaged.

### 7. Protect LED.

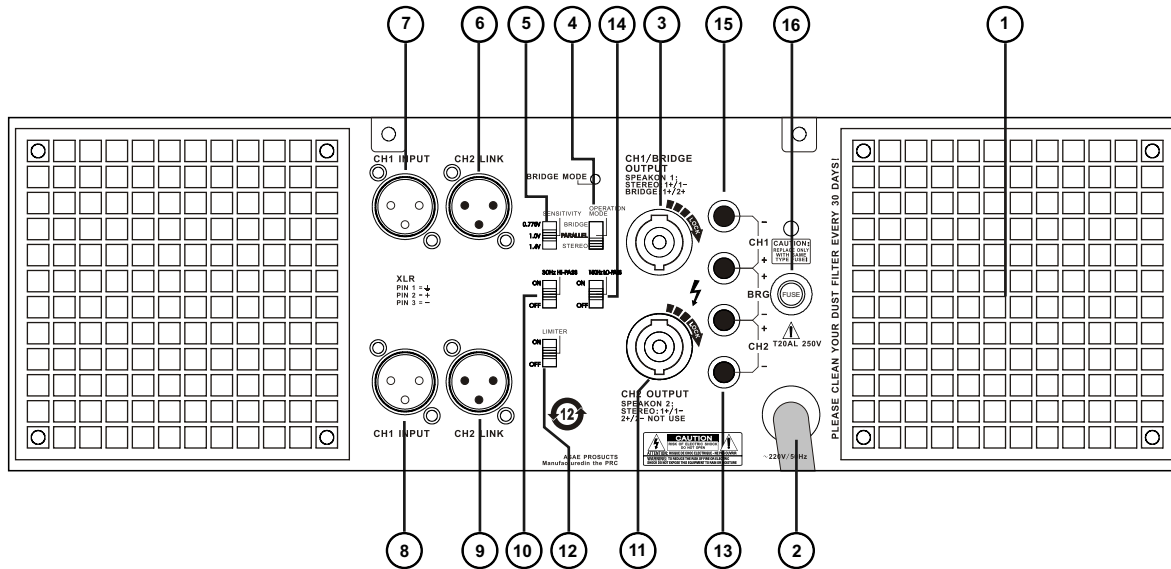
When this indicator lights, the power amplifier is in protection mode. Switch off the device and find out what the problem is. The power amplifier is protected against overheating, overload, short circuit DC.

### 8. Active LED.

Indicates that AC power is connected and the amplifier is turned on.

### 9. Input Attenuators ( Volume Controller CH1 & CH2 ).

Two input attenuator adjust level for their respective amplifier channels in Stereo mode. In Bridged Mono Mode Channel 1 attenuator is used to control signal level .



**1. Air Entrance**

This part is the air entrance. Don't obstruct it

**2. AC Socket**

Plug the AC power cord into any standard AC outlet. Before plugging this cord in be sure the voltage of the AC outlet is correct. The fuse is used to protect your power amplifier from different kinds of AC problem. If the power amplifier is "ON" and nothing lights please verify the fuse component. If fuse is broken please read it and change with a new of same size and value( CA12-18-20 not have fuse inside)

**3. CH1 Speakon Output**

Connection this speakon output to a speaker. The branching is +1, -1 ( except in bridge mode Where the branches is +1, +2).

**4. Operation Mode Selector**

This switch is used to chose the operating mode of power amplifier:  
 Mode Stereo : 2 inputs (Ch1 & Ch2) and 2 outputs are used.  
 Mode Parallel: 1 input(CH1) and 2 outputs are used.  
 Mode Bridge: 1 input(CH1) and 1 output(Output1) are used.

**5. Input Sensitivity Selector**

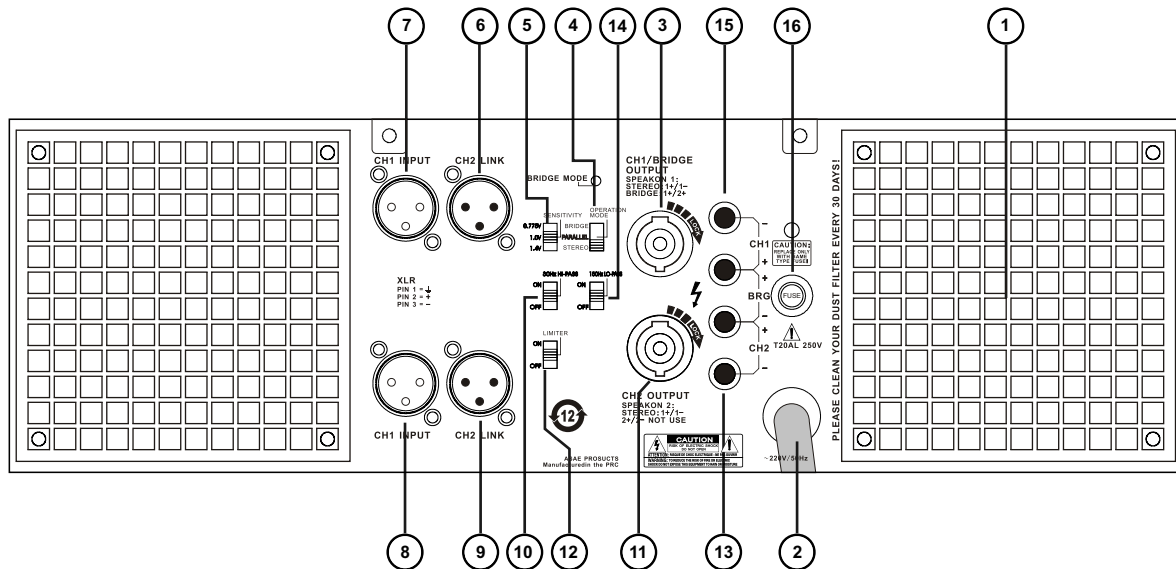
This Selector allows to choose the input sensitivity: either 0.775V. 1.0V. 1.4V.

**6. Ch1 Link Socket**

This balance socket is used to link another amplifier.

**7. Ch1 XLR Input**

This XLR input is a balance input. Connect this input to the left output of your mixer.



**8. Ch2 XLR Input**

This XLR input is a balance input. Connect this input to the right output of your mixer.

**9. Ch2 Link Socket**

This balance socket is used to link another amplifier.

**10. High Pass Filter Selector**

This switch is used to cut low frequency under 30Hz (infrasound)

**11. Ch2 Speakon Output**

Connect this speakon output to an another Speaker. The branches is +1, -1.

**12. Limiter switch**

This switch is used to select ON/OFF of the limiter. Choose it to prevent output clip because of too high input signal, so as to avoid damaging amplifier and the speaker.

**13. Channel 2 Binding post output**

This is the binding post output port. Red color links to positive port of speaker, black color links to negative port of speaker. While bridge only RED color links to positive port of speaker.

**14. 150Hz low-pass filter switch**

If the system needs to drive the subwoofer turn the switch to "ON" position. It can filtrate the signal below 150Hz. You can use this amplifier to drive the subwoofers, no need to add extract electronic crossover.

**15. Channel 1 Binding post output**

This is the binding post output port. Red color links to positive port of speaker, black color links to negative port of speaker. While bridge only RED color links to positive port of speaker.

**16. Fuse holder**

This fuse holder include a standard specification fuse inside. It is used to protect amplifier from damages. If the amplifier was connected to power but the LED is not illume , please check the fuse situation. If you found the fuse is broken, you must replace with same specification fuse after troubleshooting

Specifications	CA12	CA18	CA20
Power (Stereo Mode both channel driver)			
8 ohms power*	800W	1100W	1300W
4 ohms power*	1275W	1725W	2025W
2 ohms power*	1700W	2300W	2700W
Power (Bridge Mono Mode)			
8 ohms power*	2550W	3450W	4050W
4 ohms power*	3400W	4600W	5400W
Frequency Response (8 ohm)	20Hz~20KHz, -0.5dB (+/-0.5dB)		
Other specifications			
S/N Ratio	>80dB	>80dB	>80dB
THD+N (8 ohm 1kHz in 1/4 Output)	<0.1%	<0.1%	<0.1%
Damping Factor (8 Ohm 1K)	>300	>300	>300
Slew Rate	>20v/us	>20v/us	>20v/us
Input Sensitivity	0.775V/1.0V/1.4V		
Output topology	3 Steps Class H		
Cooling	Front to rear air flow		
Connectors & Protection			
Input Connectors	3 Pin XLR		
Output Connectors	Speakon		
Amplifier protection	DC/Short/Temp/VHF/Limit/Soft Start		
Dimensions (mm) & Weight (Kg)			
Width	483	483	483
Depth	432	432	432
Height	3U	3U	3U
Weight (Gross)	38Kg	41Kg	42Kg

Note:

\*. The power tested under EIA standard. \*\*, The power are tested under the condition of 1KHz, 1%THD, 40ms burst. We reserves the right to make changes in specification without prior notice.