

## SPECIFICATIONS

Model No.	RSA-120M/ RSA-120DP
POWER REQUIREMENT	AC: 220-240V 50/60Hz, DC: 12V-14V Car Battery
AC POWER CONSUMPTION	250VA
DC POWER CONSUMPTION	5.5A (AVERAGE)
R.M.S POWER OUTPUT: MAXIMUM At 10% THD At 5% THD At 2% THD	160 Watts 120 Watts 105 Watts 95 Watts
INPUT CHANNELS	5 x Mic 0.6mV/ 4.7K $\Omega$ , 2 x AUX 100mV/ 330K $\Omega$
DIGITAL PLAYER*	MP3 Player with USB/ BT/ FM Functions & Remote Control
ECHO**	Built-in ECHO with Delay/ Repeat Function
FREQUENCY RESPONSE	50Hz - 15000Hz $\pm$ 3dB
TONE CONTROLS	BASS: $\pm$ 10dB at 100Hz (Cut-Boost Type) TREBLE: $\pm$ 10dB at 10KHz (Cut-Boost Type)
LINE BOOSTER OUTPUT	1V/ 1K $\Omega$
PRE-AMP OUTPUT	200mV/ 600 $\Omega$
S/N RATIO	60dB
OUTPUT TAPS FOR SPEAKERS	4 $\Omega$ , 8 $\Omega$ & 70V, 100V Line
PROTECTION	AC Fuse: 3A/ 250V DC Fuse: 13A
DIMENSIONS	W425 x H137 x D350 mm
WEIGHT	11.00 KG

\* Not available in RSA-120M & RSA-120FX models.

\*\* Available in RSA-120FX, RSA-120FXDP models.

MADE IN INDIA

- Design and Specifications are subject to change without notice.
- Technical specifications are estimates only 12/18.

[www.roxy.in](http://www.roxy.in)

[facebook.com/roxypasystem](https://www.facebook.com/roxypasystem)

[twitter.com/roxypasystem](https://twitter.com/roxypasystem)



[www.roxy.in](http://www.roxy.in)

# ROXY®

Since 1951

## OPERATION MANUAL

### PA Mixer Amplifier

120W RMS / 160W Max.



MODEL No.

## RSA-120M RSA-120FX



### PA Mixer Amplifier + Digital Player

120W RMS / 160W Max.



MODEL No.

## RSA-120DP RSA-120FXDP



## SAFETY INSTRUCTIONS

### WARNING

- To reduce the risk of electric shock, do not remove the top cover. No user serviceable parts inside. Refer all servicing to qualified personnel only.
- Before replacing any fuse, make sure the set is switched off and disconnected from the AC mains or any other power source. Replace a fuse only with another of exactly same specification.

### CAUTIONS

**Water & Moisture:** To reduce the risk of fire or electrical shock, do not expose this set to rain or moisture. Do not use this set near water or in a wet location. Do not keep any object filled with liquid, such as a vase, on top of this set. Do not insert or remove the AC mains plug with wet hands.

**Power Source:** The voltage & frequency of the AC mains supply, and the voltage of the external battery, (if applicable) to which this set can be connected, is marked on the rear panel of the set. Do not connect this set to any power source other than those specified on the rear panel.

**Power Cord Protection:** Do not cut, kink, damage or modify the AC power cord supplied with this set. Keep the AC power cord away from heaters and harmful chemicals. Do not keep any heavy object on the power cord.

**Operation on Generator:** When operating this set on a generator, make sure the set is switched off till the generator voltage has stabilized.

**Ventilation:** This set should be situated so that its location or position does not interfere with its proper ventilation. Do not cover the ventilation holes / slots. Do not insert or drop anything into the ventilation holes / slots.

**Stability:** This set must be kept in a stable and flat horizontal position, and never in a tilted position. Do not place this set on an unstable stand, tripod, bracket or mount. Do not use attachments which are not supplied or explicitly recommended by the manufacturer.

**Cover Strip:** The cover strip of the 100V / 70V audio output terminal strip, and of any other high voltage output terminal strip, must be replaced after making connections. Failure to do so may result in exposure to hazardous voltages.

**Earthing:** This set must be earthed properly before use. A wire from the Earth terminal on the rear panel must be connected to electrical earth.

**Cleaning:** Disconnect this equipment from the AC mains and external battery before cleaning. Clean with a damp cloth, but do not allow any liquid to enter the set. Do not clean with liquids or aerosols.

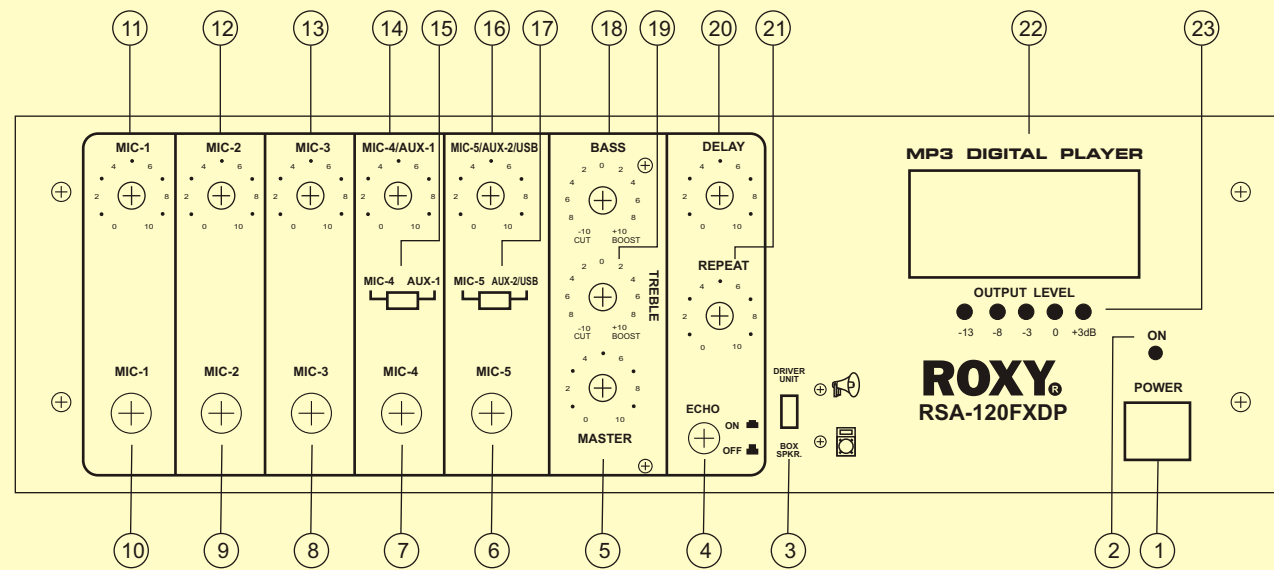
**Exposure to Heat:** Do not touch the heatsinks while the set is working.

## FEATURES OF PRODUCT

ROXY®

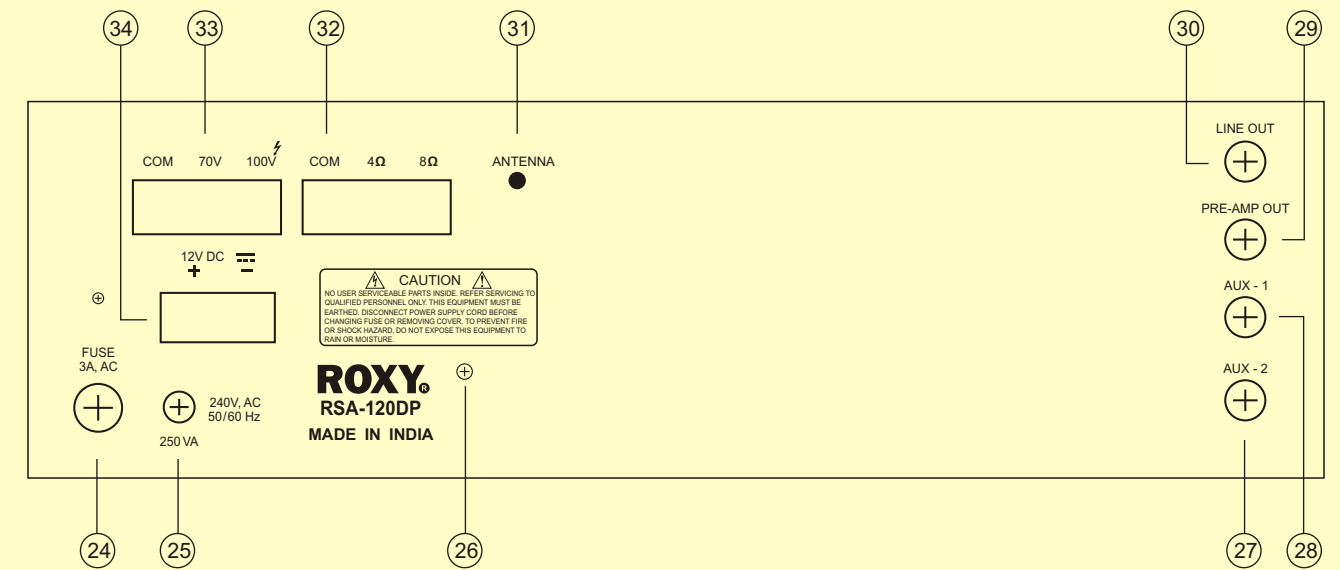
- RSA-120M/ RSA-120DP is a 120W power output Mixer Amplifier with 5-MIC & 2-AUX inputs.
- RSA-120M/ RSA-120DP has a line output for connecting to a Booster Amplifier and Pre-Amplifier output for recording purpose.
- 5-LED array display is provided to track speaker output level.
- Cut/Boost type Bass & Treble Control provided for enhanced tonal adjustment.
- Box Speaker/ Driver Unit selector switch provided for protecting Driver Unit's Diaphragm from unwanted low frequencies.
- RSA-120DP has Built-in MP3 Digital Player with USB/ BT/ FM Functions & Remote Control. It can be used to playback MP3 format songs from different sources like USB Drive or SD cards. An LED display enables users to keep a track on songs to be played.
- RSA-120FX models has Built-in ECHO with DELAY & REPEAT functions.
- Provision for automatic changeover from AC to Battery operation if batteries are connected to ensure continuity of program in case of power failure.
- Protection provided against reverse polarity Battery connections.
- Designed for a wide variety of PA applications.

## FRONT PANEL CONTROLS & FEATURES



1. **POWER SWITCH**  
To Turn On/Off Amplifier
2. **POWER LED**  
This LED glows when the amplifier is switched ON.
3. **BOX SPEAKER/ DRIVER UNIT SELECTOR SWITCH**
4. **ECHO ON/OFF SWITCH**
5. **MASTER VOLUME CONTROL**  
For adjusting the overall volume level from the amplifier.
6. **MIC-5 INPUT JACK SOCKET**  
For accepting unbalanced signal from a low impedance microphone.
7. **MIC-4 INPUT JACK SOCKET**
8. **MIC-3 INPUT JACK SOCKET**
9. **MIC-2 INPUT JACK SOCKET**
10. **MIC-1 INPUT JACK SOCKET**
11. **MIC-1 VOLUME CONTROL**
12. **MIC-2 VOLUME CONTROL**
13. **MIC-3 VOLUME CONTROL**
14. **MIC-4/ AUX-1 VOLUME CONTROL**
15. **MIC-4/ AUX-1 SELECTOR SWITCH**
16. **MIC-5/ AUX-2/ USB VOLUME CONTROL**
17. **MIC-5/ AUX-2/ USB SELECTOR SWITCH**
18. **BASS CONTROL**  
To Cut/Boost Bass Effect
19. **TREBLE CONTROL**  
To Cut/Boost Treble Effect
20. **ECHO DELAY CONTROL**
21. **ECHO REPEAT CONTROL**
22. **BUILT-IN MP3 DIGITAL PLAYER**  
DP-79 with USB/SD/BT/FM Function

## REAR PANEL CONTROLS & FEATURES



23. **LED ARRAY**  
This indicates the output level of the Amplifier.
24. **AC MAINS FUSE (Rating 3 AMP)**  
This protects the amplifier from excessive current flow.
25. **3 CORE AC MAINS CABLE PLUG**
26. **EARTH TERMINAL**
27. **AUX-2 INPUT JACK SOCKET**
28. **AUX-1 INPUT JACK SOCKET**
29. **PRE-AMPLIFIER OUTPUT JACK SOCKET**  
For connecting to the AUX Input of another Amplifier or for recording purpose.
30. **LINE OUTPUT JACK SOCKET**  
For connecting to a booster amplifier to obtain combined higher power output.
31. **FM ANTENNA**
32. **SPEAKER TERMINAL BLOCK (4Ω, 8Ω)**  
For connecting low impedance speakers.
33. **SPEAKER TERMINAL BLOCK (70V, 100V)**  
For connecting speakers with 100V line matching transformers.
34. **BATTERY TERMINAL BLOCK**  
For connecting 12V Car Battery as standby power source.

### CAUTION

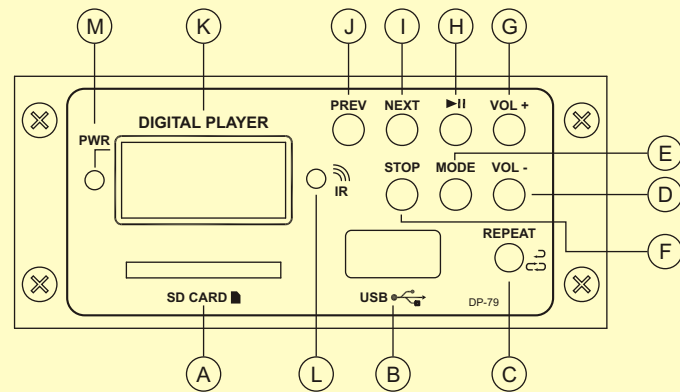
- Disconnect input to AUX-2 Socket before using Built-in MP3 Digital Player. It should be noted that a user can use either AUX-2 source or Built-in MP3 Digital Player at one given point of time.
- Do not eject USB/SD Card while playing or using Built-in MP3 Digital Player. Doing so may damage USB/SD Card or Built-in MP3 Player.
- When speakers are connected to low impedance Terminal Strip (COM-4Ω-8Ω), no speakers should be connected to COM-100V Terminal Strip & vis-a-versa doing so may damage Amplifier or Speaker or both.

# MP3 DIGITAL PLAYER: CONTROLS & FEATURES

# NOTES:

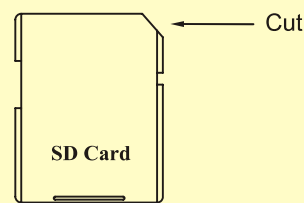
ROXY

## MP3 Digital Player

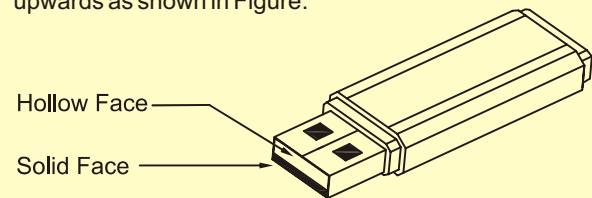


### :- MP3 DIGITAL PLAYER :-

- A. SD/MMC Card Connector:** Insert the SD/MMC Card into its appropriate slot to play. When taking out the card, pull the card to take out.  
While inserting SD/MMC card into the slot, ensure that the card is inserted in such a way that all pins are facing downward and cut is towards right as shown in figure.



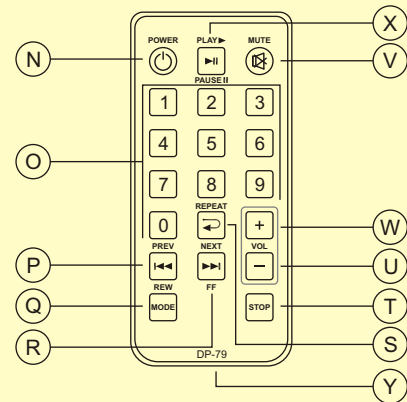
- B. USB Connector:** Insert the USB drive here. While inserting USB drive into the USB connector, hold the USB drive in such a way that hollow part of the USB drive is upwards as shown in Figure.



Any forceful insertion in wrong direction will damage the connector.

- C. REPEAT :** Press once to repeat the song being played. Press again to repeat all the songs.
- D. VOL-:** To decrease volume level of MP3 Player.
- E. MODE:** To select SD/USB/BT/FM.
- F. STOP:** To stop the track being played.
- G. VOL+:** To increase volume level of MP3 Player.
- H. PLAY/PAUSE:** Press PLAY/PAUSE once to Pause if music is already playing. Press PLAY/PAUSE again to resume playing. Play will resume from the same point where it had stopped.
- I. Next:** Press NEXT to select next forward music track. Pressing NEXT repeatedly will move the system to successively next forward tracks.

## Remote Control

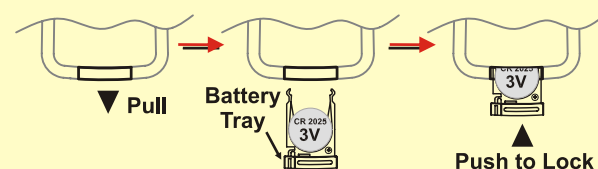


- J. PREV:** Press PREV to Select the previous track. Pressing PREV repeatedly will move the system to successively previous tracks.
- K. LCD DISPLAY:** Displays 3 digits of the track selected to play i.e. 001 to 999. During play, displays the time duration of the track played.
- L. IR Sensor:** Picks up signal from the Remote control. Point the Remote control towards this sensor when using the remote control.

### M. POWER ON LED

### :- REMOTE CONTROL :-

- N. POWER:** Press once to switch off MP3 digital player, press again to switch ON.
- O. Number Key 0 to 9.** To Choose the track number to be played.
- P. PREV :** To select the previous track.
- Q. MODE:** To select SD or USB if both are inserted.
- R. NEXT :** Press to select the next track.
- S. REPEAT :** Press once to repeat the song being played. Press again to repeat all the songs.
- T. STOP:** Press to stop the track being played.
- U. VOL:** Press to decrease the volume of Digital Player.
- V. MUTE:** Press once to mute the sound, press again the resume the sound.
- W. VOL:** Press to increase the volume of Digital Player.
- X. PLAY/PAUSE:** Press Play/Pause once to Pause when music is already playing. Press Play/Pause again to resume replaying.
- Y. BATTERY REPLACEMENT:** Pull out the battery tray and replace the battery with positive electrode facing upwards as shown in figure below. Push the battery compartment back to the close position. Use CR2025 or equivalent lithium coin cell.




---

---

---

---

---

---

---

---

---

---

---

---

---

---

---

---

---

---

---

---

---

---

---

---