

## SPECIFICATIONS

|   |  |
|---|--|
| Model No.   | RSA-45M/ RSA-45DP  |
| POWER REQUIREMENT   | AC: 220-240V 50/60Hz,<br>DC: 12V Car Battery   |
| R.M.S POWER OUTPUT:<br>MAXIMUM<br>At 10% THD<br>At 5% THD | 50 Watts<br>33 Watts<br>30 Watts   |
| INPUT CHANNELS  | 3 x Mic 0.5mV/ 4.7K?,<br><br>2-AUX:<br>AUX-1 50mV/470K?,<br>AUX-2 150mV/470K?,             |
| DIGITAL PLAYER*   | MP3 Player with USB, SD, MMC Card Reader,<br>Bluetooth, FM & Remote Control                |
| FREQUENCY RESPONSE  | 100Hz-13KHz $\pm$ 3dB  |
| TONE CONTROLS   | BASS: $\pm$ 10dB at 100Hz (Cut-Boost Type)<br>TREBLE: $\pm$ 10dB at 10KHz (Cut-Boost Type) |
| S/N RATIO   | 60dB   |
| OUTPUT TAPS FOR SPEAKERS                                  | 4?, 8? & 16? & 100V Line   |
| PROTECTION  | 6AC Fuse, AMPLIFIER IS PROTECTED AGAINST<br>WRONG BATTERY POLARITY                         |
| DIMENSION   | 285W x 280D x 120H mm  |
| WEIGHT  | 5.100 KG   |

\* Not available in RSA-45M

MADE IN INDIA

- Design and Specifications are subject to change without notice.
- Technical specifications are estimates only 07/19.

[facebook.com/roxypasystem](https://www.facebook.com/roxypasystem)

[twitter.com/roxypasystem](https://twitter.com/roxypasystem)

[www.roxy.in](http://www.roxy.in)



[www.roxy.in](http://www.roxy.in)

# ROXY®

Since 1951

# OPERATION MANUAL

PA Mixer Amplifier  
45W RMS / 50W Max.

MODEL No.  
**RSA-45M**



PA Mixer Amplifier + Digital Player  
45W RMS / 50W Max.



MODEL No.  
**RSA-45DP**



**WARNING**

- To reduce the risk of electric shock, do not remove the top cover. No user serviceable parts inside. Refer all servicing to qualified personnel only.
- Before replacing any fuse, make sure the set is switched off and disconnected from the AC mains or any other power source. Replace a fuse only with another of exactly same specification.

**CAUTIONS**

**Water & Moisture:** To reduce the risk of fire or electrical shock, do not expose this set to rain or moisture. Do not use this set near water or in a wet location. Do not keep any object filled with liquid, such as a vase, on top of this set. Do not insert or remove the AC mains plug with wet hands.

**Power Source:** The voltage & frequency of the AC mains supply, and the voltage of the external battery, (if applicable) to which this set can be connected, is marked on the rear panel of the set. Do not connect this set to any power source other than those specified on the rear panel.

**Power Cord Protection:** Do not cut, kink, damage or modify the AC power cord supplied with this set. Keep the AC power cord away from heaters and harmful chemicals. Do not keep any heavy object on the power cord.

**Operation on Generator:** When operating this set on a generator, make sure the set is switched off till the generator voltage has stabilized.

**Ventilation:** This set should be situated so that its location or position does not interfere with its proper ventilation. Do not cover the ventilation holes / slots. Do not insert or drop anything into the ventilation holes / slots.

**Stability:** This set must be kept in a stable and flat horizontal position, and never in a tilted position. Do not place this set on an unstable stand, tripod, bracket or mount. Do not use attachments which are not supplied or explicitly recommended by the manufacturer.

**Cover Strip:** The cover strip of the 100V / 70V audio output terminal strip, and of any other high voltage output terminal strip, must be replaced after making connections. Failure to do so may result in exposure to hazardous voltages.

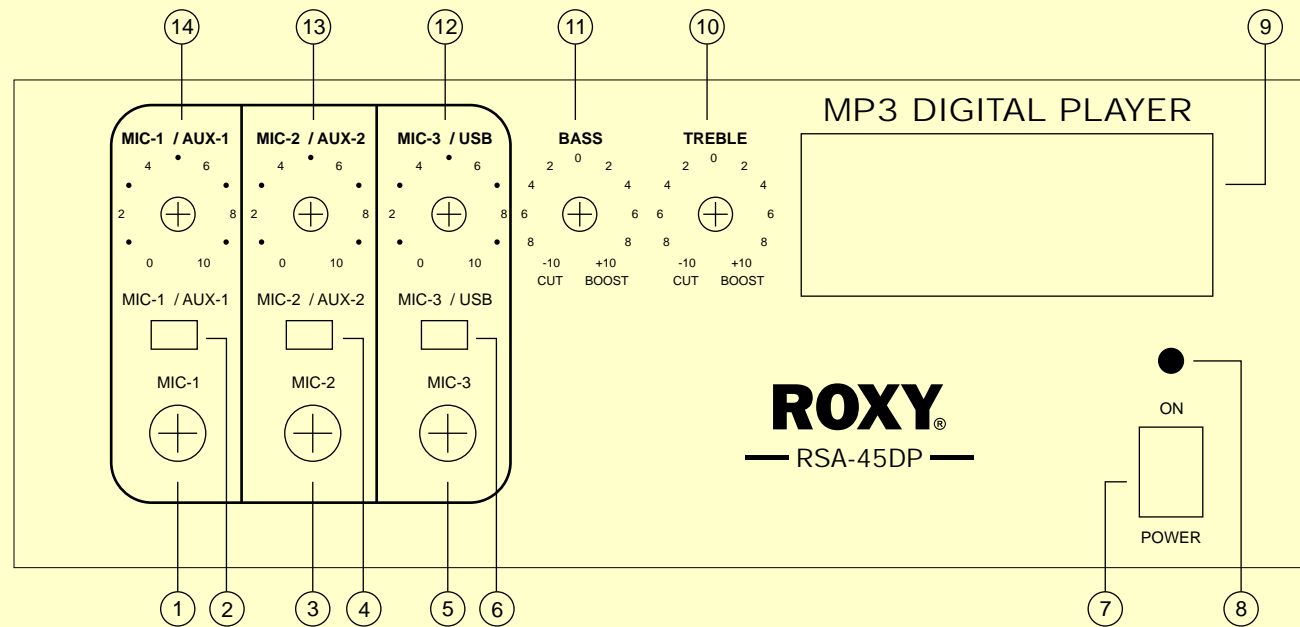
**Earthing:** This set must be earthed properly before use. A wire from the Earth terminal on the rear panel must be connected to electrical earth.

**Cleaning:** Disconnect this equipment from the AC mains and external battery before cleaning. Clean with a damp cloth, but do not allow any liquid to enter the set. Do not clean with liquids or aerosols.

**Exposure to Heat:** Do not touch the heatsinks while the set is working.

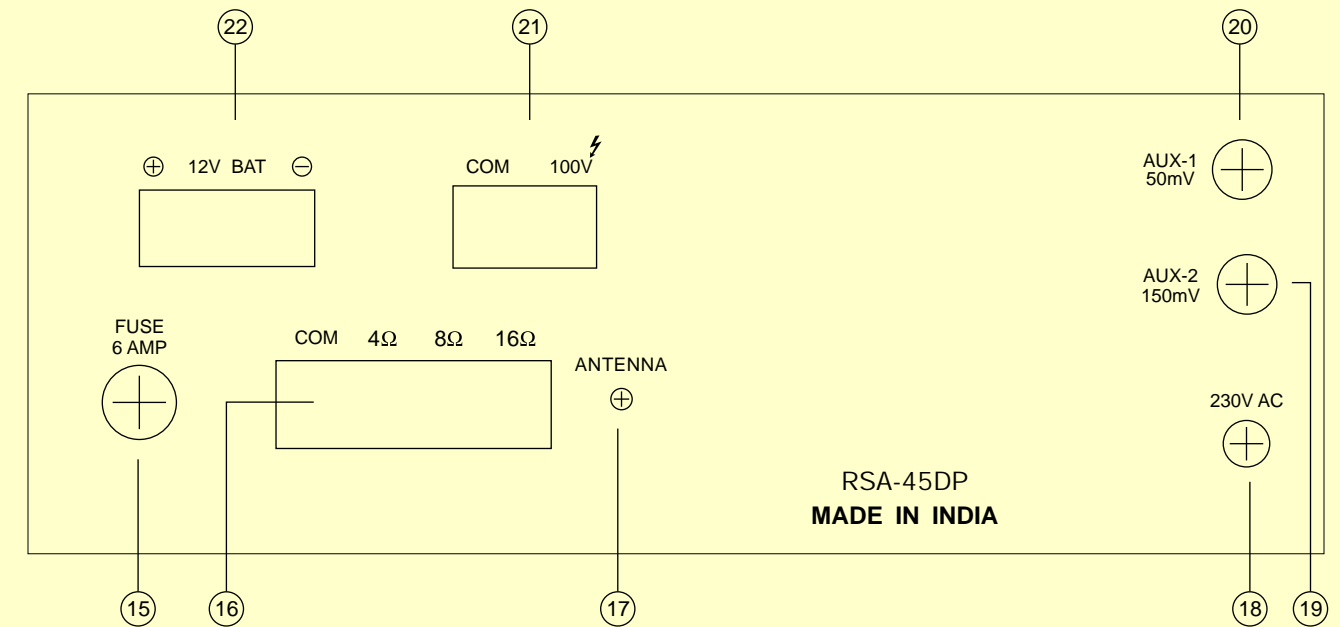
- RSA-45M/ RSA-45DP is a 45W power output Amplifier with 3-MIC & 2-AUX inputs.
- Cut/Boost type Bass & Treble Control provided for enhanced tonal adjustment.
- RSA-45DP has Built-in MP3 Digital Player with Bluetooth, FM Function and Remote Control. It can be used to playback MP3 format songs from different sources like USB Drive or SD cards. An LED display enables users to keep a track on songs to be played.
- Provision for automatic changeover from AC to Battery operation if batteries are connected to ensure continuity of program in case of power failure.
- Protection provided against reverse polarity Battery connections.
- Designed for a wide variety of PA applications.
- Model with Built-in Echo with Repeat and Delay function also available (Model No. RSA-45FXDP & RSA-45FX).

## FRONT PANEL CONTROLS & FEATURES



1. **MIC-1 INPUT JACK SOCKET**  
For accepting unbalanced signal from a low impedance microphone.
2. **MIC-1/AUX-1 SELECTOR SWITCH**
3. **MIC-2 INPUT JACK SOCKET**
4. **MIC-2/AUX-2 SELECTOR SWITCH**
5. **MIC-3 INPUT JACK SOCKET**
6. **MIC-3/ USB SELECTOR SWITCH**
7. **POWER SWITCH**  
To Turn On/Off Amplifier
8. **POWER LED**  
This LED glows when the amplifier is switched ON.
9. **BUILT-IN MP3 DIGITAL PLAYER**
10. **TREBLE CONTROL**  
To Cut/Boost Treble Effect
11. **BASS CONTROL**  
To Cut/Boost Bass Effect
12. **MIC-3/USB VOLUME CONTROL**
13. **MIC-2/AUX-2 VOLUME CONTROL**
14. **MIC-1/AUX-1 VOLUME CONTROL**
15. **AC MAINS FUSE (Rating 6 AMP)**  
This protects the amplifier from excessive current flow.
16. **SPEAKER TERMINAL BLOCK (4?, 8?, 16?)**  
For connecting low impedance speakers.
17. **ANTENNA TERMINAL FOR FM**

## REAR PANEL CONTROLS & FEATURES



18. **3 CORE AC MAINS CABLE PLUG**
19. **AUX-2 INPUT JACK SOCKET**
20. **AUX-1 INPUT JACK SOCKET**
21. **SPEAKER TERMINAL BLOCK (100V)**  
For connecting speakers with 100V line matching transformers.
22. **BATTERY TERMINAL BLOCK**  
For connecting 12V Car Battery as standby power source.

### CAUTION

- Do not eject USB/SD Card while playing or using Built-in MP3 Digital Player. Doing so may damage USB/SD Card or Built-in MP3 Player.
- When speakers are connected to low impedance Terminal Strip (COM-4? -8? -16? ), no speakers should be connected to COM-100V Terminal Strip & vis-a-versa doing so may damage Amplifier or Speaker or both.

