

SPECIFICATIONS

Model No.	RSA-65M / RSA-60DP
POWER REQUIREMENT	AC: 220-240V 50/60Hz, DC: 12V Car Battery
R.M.S POWER OUTPUT: MAXIMUM At 10% THD At 5% THD At 2% THD	80 Watts 65 Watts 45 Watts 36 Watts
INPUT CHANNELS	4 x Mic 0.5mV/ 4.7K Ω , 2-AUX: AUX-1 50mV/ 470K Ω , AUX-2 150mV/ 250K Ω
DIGITAL PLAYER*	MP3 Player with USB/ BT/ FM Functions & Remote Control
FREQUENCY RESPONSE	60Hz - 15000Hz \pm 3dB
TONE CONTROLS	BASS: \pm 10dB at 100Hz (Cut-Boost Type) TREBLE: \pm 10dB at 10KHz (Cut-Boost Type)
LINE BOOSTER OUTPUT	500mV/ 600 Ω
S/N RATIO	60dB
OUTPUT TAPS FOR SPEAKERS	4 Ω , 8 Ω , 16 Ω & 100V Line
PROTECTION	2AAC Fuse, AMPLIFIER IS PROTECTED AGAINST WRONG BATTERY POLARITY
DIMENSIONS	W385 x 120H x 295D mm
WEIGHT	6.250 KG

* Not available in RSA-65M

MADE IN INDIA

- Design and Specifications are subject to change without notice.
- Technical specifications are estimates only 12/18.

www.roxy.in

[facebook.com/roxypasystem](https://www.facebook.com/roxypasystem)

twitter.com/roxypasystem



www.roxy.in

ROXY®

Since 1951

OPERATION MANUAL

PA Mixer Amplifier + Digital Player

65W RMS / 80W Max.



MODEL No.

RSA-65M

RSA-60DP

SAFETY INSTRUCTIONS

WARNING

- To reduce the risk of electric shock, do not remove the top cover. No user serviceable parts inside. Refer all servicing to qualified personnel only.
- Before replacing any fuse, make sure the set is switched off and disconnected from the AC mains or any other power source. Replace a fuse only with another of exactly same specification.

CAUTIONS

Water & Moisture: To reduce the risk of fire or electrical shock, do not expose this set to rain or moisture. Do not use this set near water or in a wet location. Do not keep any object filled with liquid, such as a vase, on top of this set. Do not insert or remove the AC mains plug with wet hands.

Power Source: The voltage & frequency of the AC mains supply, and the voltage of the external battery, (if applicable) to which this set can be connected, is marked on the rear panel of the set. Do not connect this set to any power source other than those specified on the rear panel.

Power Cord Protection: Do not cut, kink, damage or modify the AC power cord supplied with this set. Keep the AC power cord away from heaters and harmful chemicals. Do not keep any heavy object on the power cord.

Operation on Generator: When operating this set on a generator, make sure the set is switched off till the generator voltage has stabilized.

Ventilation: This set should be situated so that its location or position does not interfere with its proper ventilation. Do not cover the ventilation holes / slots. Do not insert or drop anything into the ventilation holes / slots.

Stability: This set must be kept in a stable and flat horizontal position, and never in a tilted position. Do not place this set on an unstable stand, tripod, bracket or mount. Do not use attachments which are not supplied or explicitly recommended by the manufacturer.

Cover Strip: The cover strip of the 100V / 70V audio output terminal strip, and of any other high voltage output terminal strip, must be replaced after making connections. Failure to do so may result in exposure to hazardous voltages.

Earthing: This set must be earthed properly before use. A wire from the Earth terminal on the rear panel must be connected to electrical earth.

Cleaning: Disconnect this equipment from the AC mains and external battery before cleaning. Clean with a damp cloth, but do not allow any liquid to enter the set. Do not clean with liquids or aerosols.

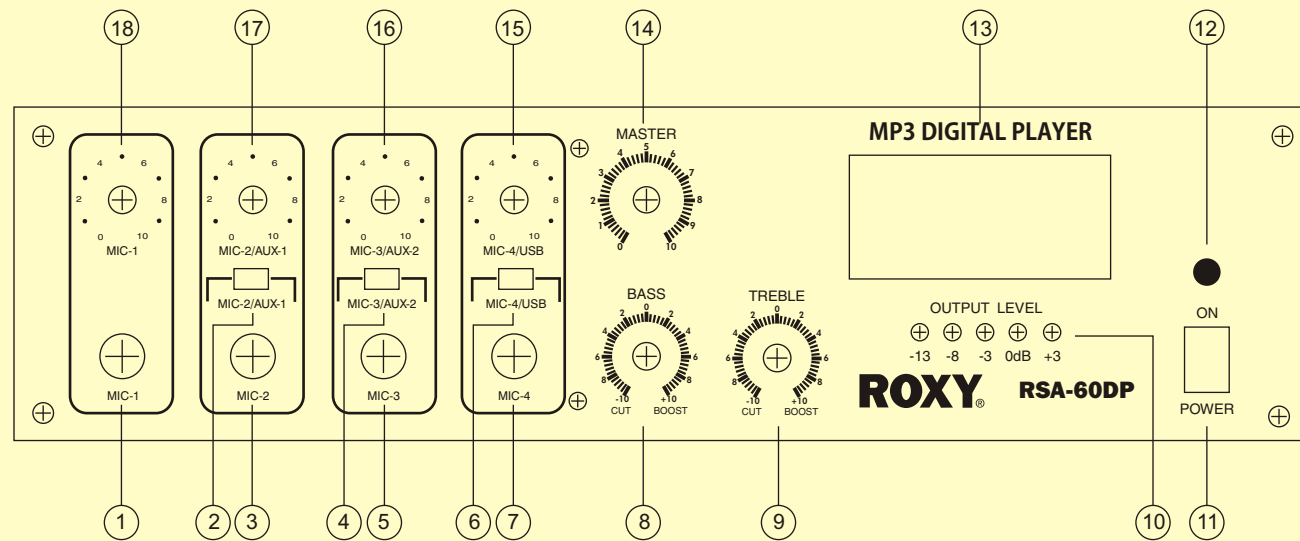
Exposure to Heat: Do not touch the heatsinks while the set is working.

FEATURES OF PRODUCT

ROXY®

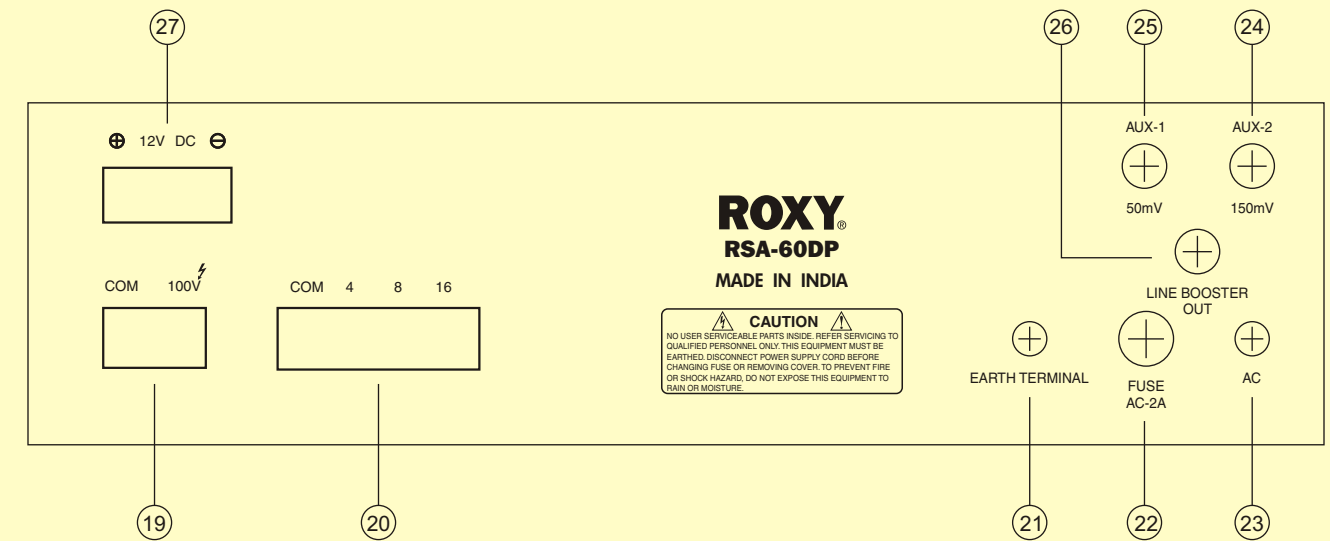
- RSA-65M / RSA-60DP is a 65W power output Mixer Amplifier with 4-MIC & 2-AUX inputs.
- RSA-65M / RSA-60DP has a line output for connecting to a Booster Amplifier.
- 5-LED array display is provided to track speaker output level.
- Cut/Boost type Bass & Treble Control provided for enhanced tonal adjustment.
- RSA-60DP has Built-in MP3 Digital Player with USB/ BT/ FM Functions & Remote Control. It can be used to playback MP3 format songs from different sources like USB Drive or SD cards. An LED display enables users to keep a track on songs to be played.
- Provision for automatic changeover from AC to Battery operation if batteries are connected to ensure continuity of program in case of power failure.
- Protection provided against reverse polarity Battery connections.
- Designed for a wide variety of PA applications.

FRONT PANEL CONTROLS & FEATURES



1. **MIC-1 INPUT JACK SOCKET**
For accepting unbalanced signal from a low impedance microphone.
2. **MIC-2 / AUX-1 SELECTOR SWITCH**
3. **MIC-2 INPUT JACK SOCKET**
4. **MIC-3 / AUX-2 SELECTOR SWITCH**
5. **MIC-3 INPUT JACK SOCKET**
6. **MIC-4 / USB SELECTOR SWITCH**
7. **MIC-4 INPUT JACK SOCKET**
8. **BASS CONTROL**
To Cut/Boost Bass Effect
9. **TREBLE CONTROL**
To Cut/Boost Treble Effect
10. **LED ARRAY**
This indicates the output level of the Amplifier.
11. **POWER SWITCH**
To Turn On/Off Amplifier
12. **POWER LED**
This LED glows when the amplifier is switched ON.
13. **BUILT-IN MP3 DIGITAL PLAYER**
DP-79
14. **MASTER VOLUME CONTROL**
For adjusting the overall volume level from the amplifier.
15. **MIC-4 / USB VOLUME CONTROL**
16. **MIC-3 / AUX-2 VOLUME CONTROL**
17. **MIC-2 / AUX-1 VOLUME CONTROL**
18. **MIC-1 VOLUME CONTROL**
19. **SPEAKER TERMINAL BLOCK (100V)**
For connecting speakers with 100V line matching transformers.

REAR PANEL CONTROLS & FEATURES



20. **SPEAKER TERMINAL BLOCK (4Ω, 8Ω & 16Ω)**
For connecting low impedance speakers.
21. **EARTH TERMINAL**
22. **AC MAINS FUSE (Rating 2 AMP)**
This protects the amplifier from excessive current flow.
23. **3 CORE AC MAINS CABLE PLUG**
24. **AUX-2 INPUT JACK SOCKET**
For accepting auxiliary input from Cassette Player, CD player, Echo unit etc.
25. **AUX-1 INPUT JACK SOCKET**
26. **LINE OUTPUT JACK SOCKET**
For connecting to a booster amplifier to obtain combined higher power output.
27. **BATTERY TERMINAL BLOCK**
For connecting 12V Car Battery as standby power source.

CAUTION

- Disconnect input to AUX-2 Socket before using Built-in MP3 Digital Player. It should be noted that a user can use either AUX-2 source or Built-in MP3 Digital Player at one given point of time.
- Do not eject USB/SD Card while playing or using Built-in MP3 Digital Player. Doing so may damage USB/SD Card or Built-in MP3 Player.
- When speakers are connected to low impedance Terminal Strip (COM-4Ω-8Ω-16Ω), no speakers should be connected to COM-100V Terminal Strip & vis-a-versa doing so may damage Amplifier or Speaker or both.

